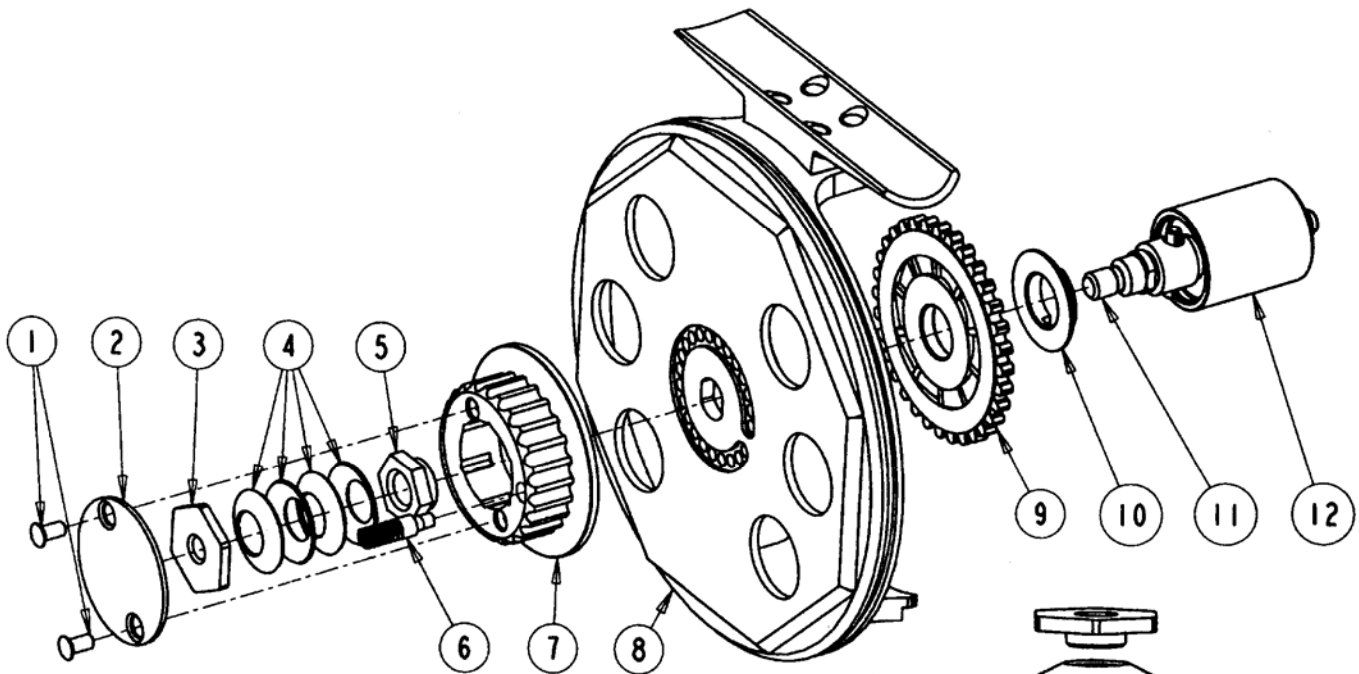


Adjusting the Drag Range on a Pre-1998 Cimarron, Gunnison, and Saltwater Reel

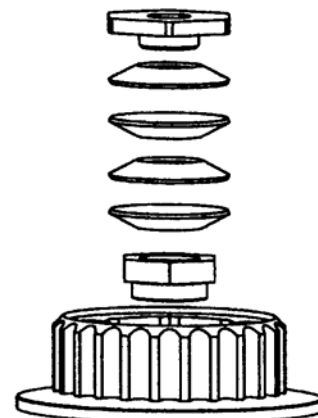
DRAG RANGE ADJUSTMENT PROCEDURE

Although the factory drag range is appropriate for most fishing situations, it may occasionally be necessary to adjust the drag range. A #1 Phillips screwdriver is needed to accomplish this adjustment.

1. Remove the two Drag Knob Cap Screws (1) securing the "RR" Drag Knob Cap (2) to the Drag Knob (7).
2. To raise the range, remove the Detent Plunger Assembly (5) and turn the Drag Knob (7) counterclockwise until the Drag Nut (3) is free. Lift the Drag Nut (3) out of the Drag Knob (7) and rotate it one flat (one side of the Drag Nut (3)) clockwise. Place the Drag Nut (3) into the Drag Knob (7) and rotate the Drag Knob (7) clockwise until the drag first engages. If with the tighter setting, the Detent Plunger Assembly (5) hole does not reach the 5-6 o'clock position, you must continue to rotate the Drag Knob (7) past the point of the drag's first engagement until the Detent Plunger Assembly (5) hole is at the 5-6 o'clock position before you reinsert the Detent Plunger Assembly (5).



1	DRAG KNOB CAP SCREWS
2	DRAG KNOB CAP
3	DRAG NUT
4	BELLEVILLE SPRING WASHERS
5	SPINDLE NUT
6	DETENT PLUNGER ASSEMBLY
7	DRAG KNOB
8	FRAME ASSEMBLY
9	DRAG DISK
10	THRUST WASHER
11	DRAG ACTUATOR SCREW
12	BEARING ASSEMBLY



**BELLEVILLE
SPRING WASHER
ORIENTATION**

3. To loosen the range, follow the same procedure, but instead of rotating the Drag Nut (3) clockwise after you have removed it from the Drag Knob (7), rotate it counter clockwise to achieve a lighter drag setting.

NOTE: On pre 1993 Gunnison reels, the drag nut and spindle nut are different than the later year models. The spindle nut is one-half inch across and fastens directly to the frame instead of thru the drag knob. The reel with this type of spindle nut and all of the spools for the reel where drag adjustments are desired should be returned to the factory for upgrade.