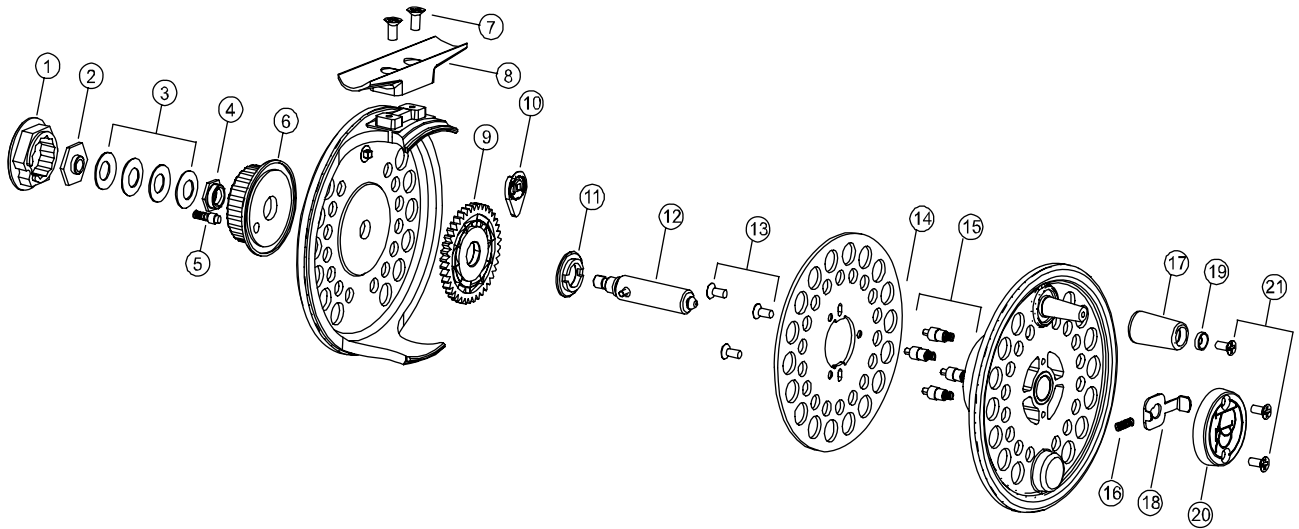


Adjusting the Drag Range on a Flywater Reel (2004 & 2005 Model)

DRAG RANGE ADJUSTMENT PROCEDURE

Although the factory drag range is appropriate for most fishing situations, by following the instructions below, adjustments to the drag range can be made.

1. Remove the Drag Knob Cover (1) from the Drag Knob (6) using a small flat bladed screwdriver.
2. To increase high-end drag, turn the Drag Nut (2) clockwise one-quarter turn and replace the Drag Knob Cover (1).
3. To decrease the low-end drag, turn the Drag Nut (2) counterclockwise one-quarter turn and replace the Drag Knob Cover (1).



1	DRAG KNOB COVER	12	SPINDLE ASSEMBLY
2	DRAG NUT	13	FLANGE SCREWS
3	DISC SPRING (BELLEVILLE)	14	SPOOL FLANGE
4	SPINDLE NUT	15	ONE-WAY PLUNGER
5	DETENT PLUNGER ASSEMBLY	16	SPOOL RELEASE SPRING
6	DRAG KNOB	17	HANDLE
7	FOOT SCREWS	18	SPOOL RELEASE
8	FOOT	19	HANDLE RETAINER
9	DRAG DISC	20	SPOOL CAP
10	CLICKER (TWO PIECE)	21	HANDLE & CAP RETAINER SCREWS
11	THRUST WASHER		