

Care and Maintenance of Your Pescador 6 (2006 Model)

CLEANING

The Pescador 6 Pliers are protected by an anodize coating, making them ideal for use in both freshwater and saltwater. We recommend that you clean your pliers after each use, especially after exposure to a salt or alkali environment.

When cleaning the pliers, soak in warm fresh water and then rinse in fresh running water. Completely dry the pliers and then lightly lubricate the Pivot Washer (5) with low viscosity machine oil before storing the pliers.

LUBRICATION

These pliers require a periodic application of low viscosity machine oil to all working parts.

CUTTER REPLACEMENT

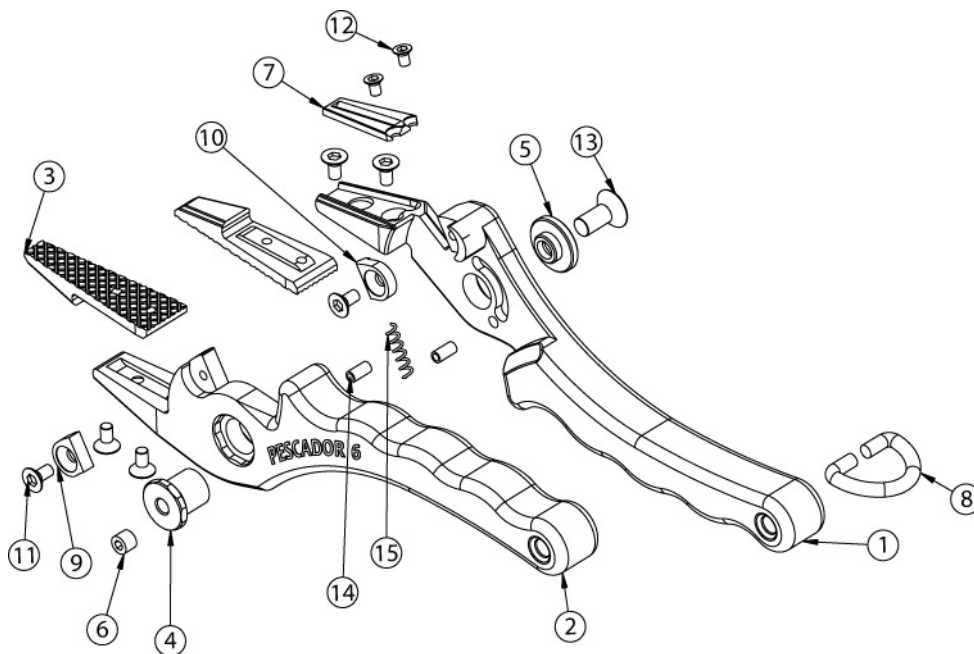
To remove the Cutter Block (9) and the Cutter Blade (10) use a 2.5mm Allen wrench and remove the Cutter Screws (11). Replace the Cutter Block (9) and Cutter Blade (10) and tighten the Cutter Screws (11).

SHARPENING STONE REPLACEMENT

To remove the Sharpening Stone (7) use a 2mm Allen wrench and remove the two Sharpening Stone Screws (12). Replace the Sharpening Stone (7) and tighten the two Sharpening Stone Screws (12).

JAW REPLACEMENT

To remove the Jaws (3) use a 2.5mm Allen wrench and remove the four Jaw Screws (11). Replace the Jaw (3) and tighten the four Jaw Screws (11). Please note that the Sharpening Stone (7) must first be removed to access the top Jaw Screws (11).



1	UPPER HANDLE	9	CUTTER BLOCK
2	LOWER HANDLE	10	CUTTER BLADE
3	JAW	11	JAW & CUTTER SCREW
4	PIVOT NUT	12	SHARPENING STONE SCREW
5	PIVOT WASHER	13	PIVOT SCREW
6	PIVOT SET SCREW	14	TRACK PINS
7	SHARPENING STONE	15	HANDLE SPRING
8	LANYARD RING		