

Care and Maintenance of Your Pescador 6 (2007 Model)

CLEANING

The Pescador 6 Pliers are protected by an anodize coating, making them ideal for use in both freshwater and saltwater. We recommend that you clean your pliers after each use, especially after exposure to a salt or alkali environment.

When cleaning the pliers, soak in warm fresh water and then rinse in fresh running water. Completely dry the pliers and then lightly lubricate the Pivot Washer (5) with low viscosity machine oil before storing the pliers.

LUBRICATION

These pliers require a periodic application of low viscosity machine oil to all working parts.

CUTTER REPLACEMENT

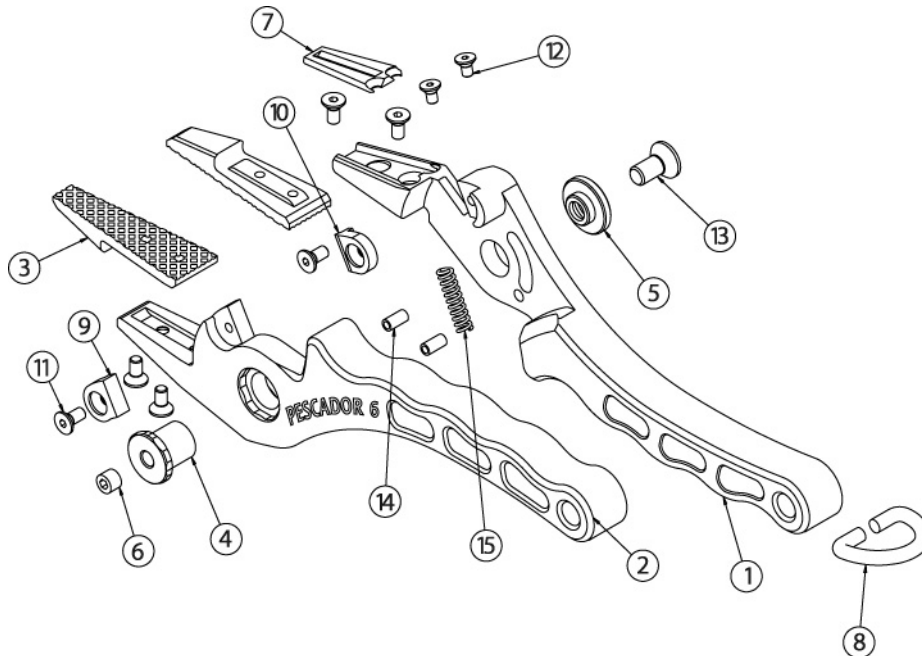
To remove the Cutter Block (9) and the Cutter Blade (10) use a 1/16 Allen wrench and remove the Cutter Screws (11). Replace the Cutter Block (9) and Cutter Blade (10) and tighten the Cutter Screws (11).

SHARPENING STONE REPLACEMENT

To remove the Sharpening Stone (7) use a .050 Allen wrench and remove the two Sharpening Stone Screws (12). Replace the Sharpening Stone (7) and tighten the two Sharpening Stone Screws (12).

JAW REPLACEMENT

To remove the Jaws (3) use a 1/16 Allen wrench and remove the four Jaw Screws (11). Replace the Jaw (3) and tighten the four Jaw Screws (11). Please note that the Sharpening Stone (7) must first be removed to access the top Jaw Screws (11). Replace the Jaws (3) and tighten the four Jaw Screws (11). Replace the Sharpening Stone (7) and the two Sharpening Stone Screws (12).



| | | | |
|---|------------------|----|------------------------|
| 1 | UPPER HANDLE | 9 | CUTTER BLOCK |
| 2 | LOWER HANDLE | 10 | CUTTER BLADE |
| 3 | JAW | 11 | JAW & CUTTER SCREW |
| 4 | PIVOT NUT | 12 | SHARPENING STONE SCREW |
| 5 | PIVOT WASHER | 13 | PIVOT SCREW |
| 6 | PIVOT SET SCREW | 14 | TRACK PINS |
| 7 | SHARPENING STONE | 15 | HANDLE SPRING |
| 8 | LANYARD RING | | |