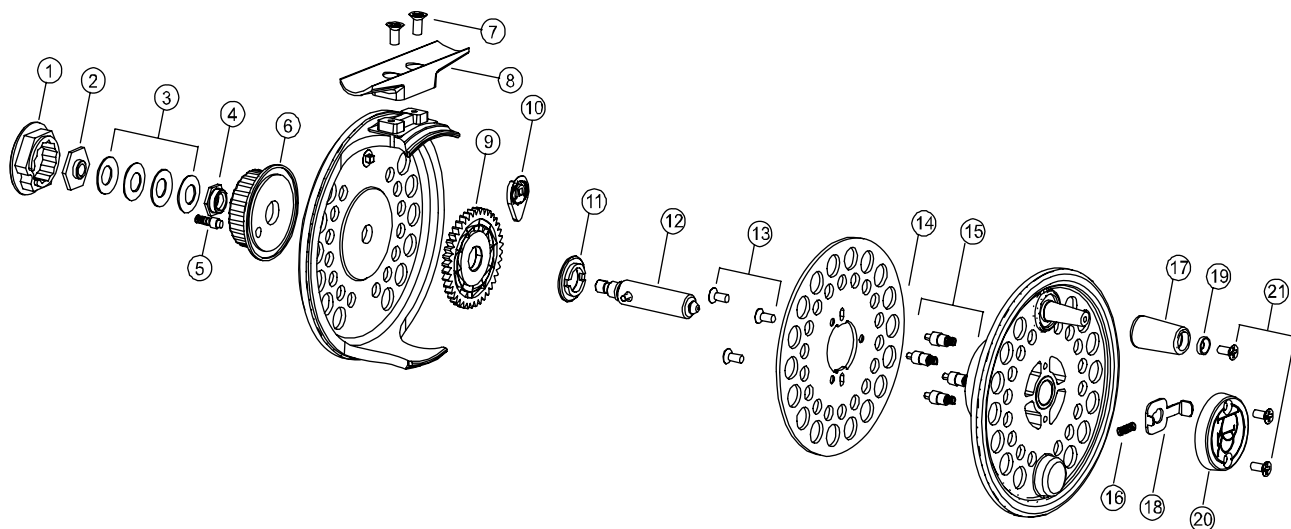


Changing the Direction of the Retrieve on a Flywater Reel (2006 Model)

CHANGING THE DIRECTION OF RETRIEVE

1. Remove the line from the spool.
2. Remove the spool from the frame.
3. Using a #1 Phillips screwdriver, loosen the three Flange Screws (13) on the bottom side of the spool. The Flange (14) can now be removed from the spool. Removing the Flange (14) will expose four One-Way Plungers (15). Please note that two of the One-Way Plungers (15) are set further away from the spool center. To set the reel for left hand retrieve, reinstall the Flange (14) allowing the outside set of One-Way Plungers (15) to protrude through the slots in the Flange (14). When you reinstall the Flange (14), make sure the three screw holes are also aligned.
4. Reinstall the three Flange Screws (13) and replace the spool in the frame..

NOTE: When changing the direction of the retrieve; the direction in which the backing and line are wound onto the spool must be reversed. When viewing the outer face of the spool, backing and line should be wound on in a clockwise direction for left hand retrieve and in a counterclockwise direction for right hand retrieve.



1	DRAG KNOB COVER	12	SPINDLE ASSEMBLY
2	DRAG NUT	13	FLANGE SCREWS
3	DISC SPRING (BELLEVILLE)	14	SPOOL FLANGE
4	SPINDLE NUT	15	ONE-WAY PLUNGER
5	DETENT PLUNGER ASSEMBLY	16	SPOOL RELEASE SPRING
6	DRAG KNOB	17	HANDLE
7	FOOT SCREWS	18	SPOOL RELEASE
8	FOOT	19	HANDLE RETAINER
9	DRAG DISC	20	SPOOL CAP
10	CLICKER (TWO PIECE)	21	HANDLE & CAP RETAINER SCREWS
11	THRUST WASHER		