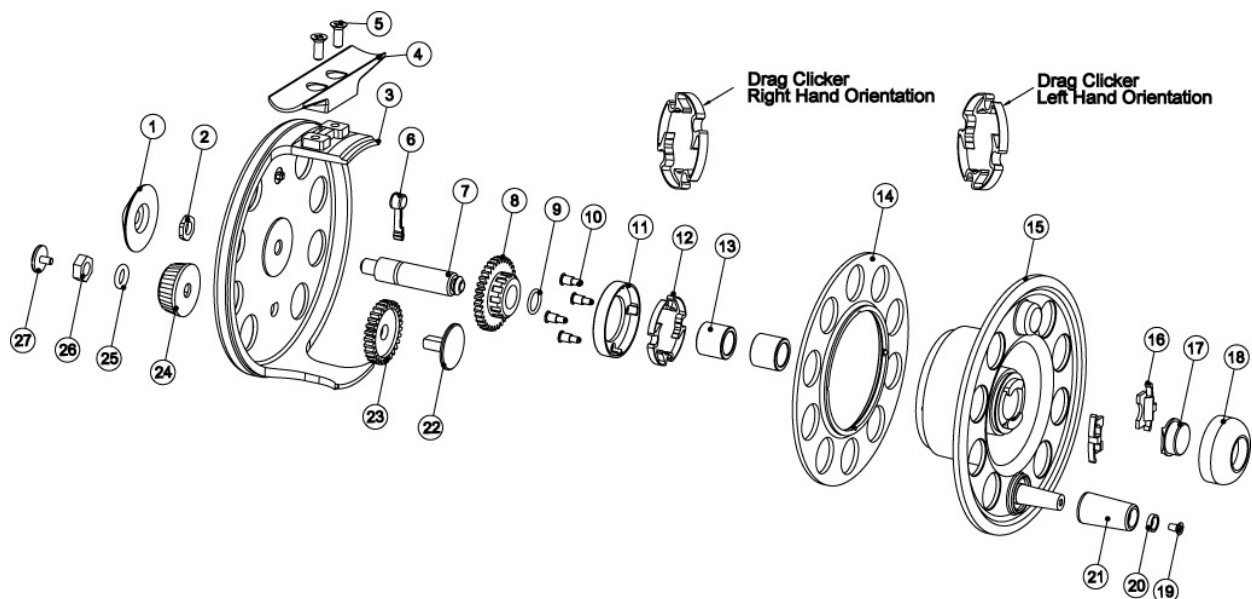


Changing the Direction of the Retrieve on a Flystart Reel (2007 Model)

CHANGING THE DIRECTION OF RETRIEVE

1. Remove the Spool Assembly (14 & 15) from the Frame (3).
2. Using a #1 Phillips screwdriver, remove the four Escapement Cover Screws (10) on the inner flange of the Spool Assembly (14 & 15).
3. Remove the Escapement Cover (11).
4. Remove the Escapement (12), turn it over, and replace it on the Spool Assembly (14 & 15) screw holes. For left hand retrieve, the escapement pawls should point counterclockwise. For right hand retrieve, the drag clicker pawls should point clockwise (see diagram below).
5. Replace the Escapement Cover (11), aligning the Escapement Cover (11) screw holes with the Escapement (12) screw holes.
6. Reinsert and tighten the Escapement Cover Screws (10) and replace the Spool Assembly (14 & 15) on the Frame (3).

NOTE: When changing the direction of the retrieve; the direction in which the backing and line are wound onto the spool must be reversed. When viewing the outer face of the spool, backing and line should be wound on in a clockwise direction for left hand retrieve and in a counterclockwise direction for right hand retrieve.



1	SPINDLE COVER	15	SPOOL
2	SPINDLE NUT	16	SPOOL RELEASE SLIDE
3	BODY	17	SPOOL RELEASE BUTTON
4	FOOT	18	SPOOL CAP
5	FOOT SCREWS	19	HANDLE RETAINING SCREW
6	CLICKER	20	RETAINER
7	SPINDLE	21	HANDLE
8	DRIVE GEAR	22	DRAG SPINDLE
9	O-RING	23	DRAG GEAR
10	ESCAPEMENT COVER SCREWS	24	DRAG KNOB
11	ESCAPEMENT COVER	25	O-RING
12	ESCAPEMENT	26	DRAG NUT
13	SPOOL BEARING	27	DRAG KNOB SCREW
14	SPOOL REAR		