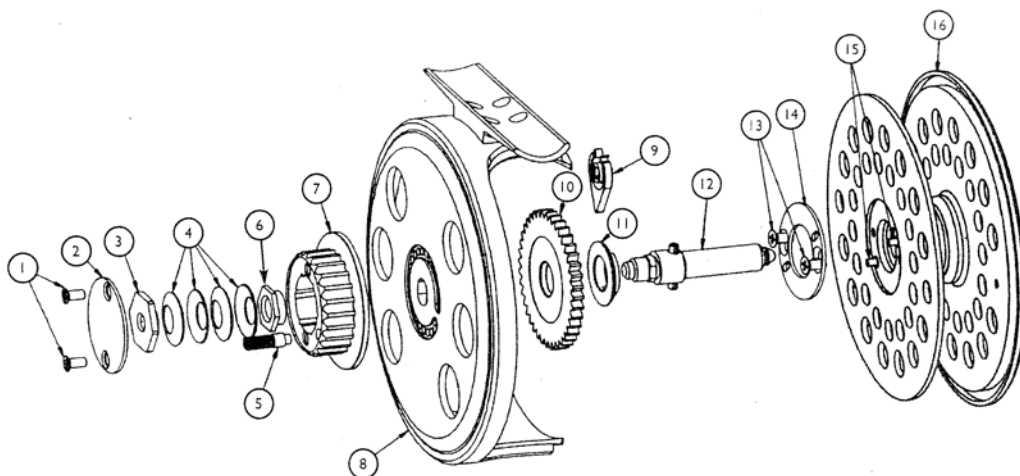


Changing the Direction of the Retrieve on a Cimarron 5 Reel

CHANGING THE DIRECTION OF THE RETRIEVE

1. Remove the Spool (16).
2. Using a #1 Phillips screwdriver loosen the two Change Ring Screws (13) on the bottom side of the Spool (16) far enough to allow the Change Ring (14) to be repositioned over the other One-Way Plunger (15).
3. Retighten the two Change Ring Screws (13) and replace the Spool (16) on the frame.

NOTE: If the inside One-Way Plunger (15) is exposed, the reel is set for right hand retrieve; if the outer One-Way Plunger (15) is exposed, the reel is set for left hand retrieve. When changing the direction of the retrieve, the direction in which the backing and line are wound onto the Spool (16) must be reversed. When viewing the outer face of the Spool (16), the backing and line should be wound on in a clockwise direction for left hand retrieve and in a counterclockwise direction for right hand retrieve.



1	DRAG KNOB CAP SCREWS (2)	9	CLICKER (2 PIECE)
2	DRAG KNOB CAP	10	DRAG DISK
3	DRAG NUT	11	THRUST WASHER
4	BELLEVILLE SPRING WASHERS	12	SPINDLE ASSEMBLY
5	DETENT PLUNGER ASSEMBLY	13	CHANGE RING SCREWS (2)
6	SPINDLE NUT	14	CHANGE RING
7	DRAG KNOB	15	ONE-WAY PLUNGERS (2)
8	FRAME	16	SPOOL