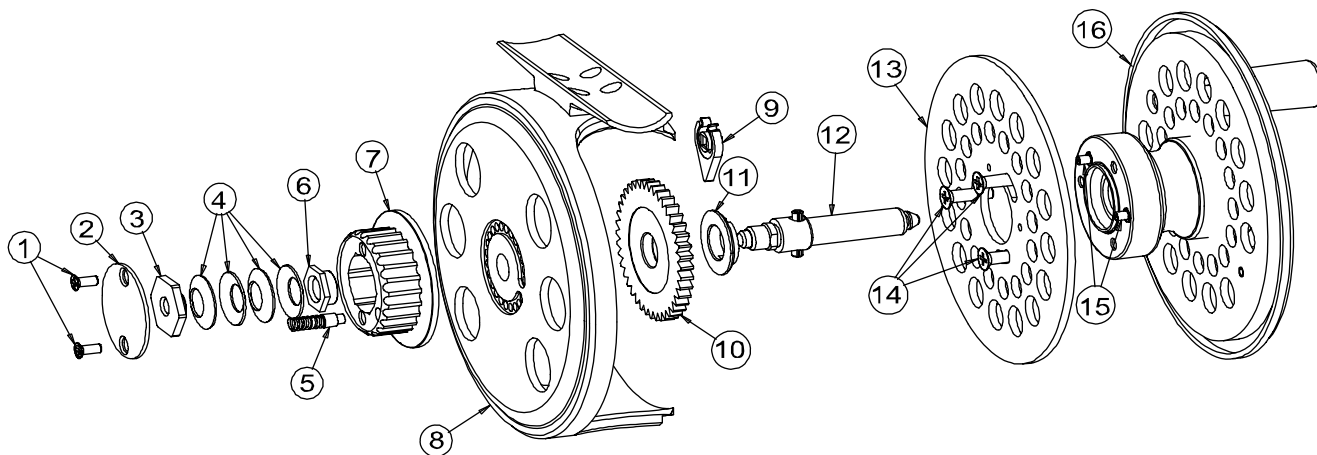


Changing the Direction of the Retrieve on a Cimarron Reel

CHANGING THE DIRECTION OF THE RETRIEVE (APPLIES TO SIZES 1-4)

1. Remove the line from the Spool (13-16).
2. Remove the Spool (13-16) from the Frame (8).
3. Using a #1 Phillips screwdriver loosen the three Spool Flange Screws (14) on the bottom side of the Spool Flange (13) far enough to allow the Spool Flange (13) to be repositioned over the other One-Way Plunger (15).
4. Re-tighten the three Spool Flange Screws (14) and replace the Spool (13-16) on the Frame (8).

NOTE: If the inside One-Way Plunger (15) is exposed, the reel is set for right hand retrieve; if the outer One-Way Plunger (15) is exposed, the reel is set for left hand retrieve. When changing the direction of the retrieve, the direction in which the backing and line are wound onto the Spool (13-16) must be reversed. When viewing the outer face of the Spool (13-16), the backing and line should be wound on in a clockwise direction for left hand retrieve and in a counterclockwise direction for right hand retrieve.



| | | | |
|---|---------------------------|----|----------------------|
| 1 | DRAG KNOB CAP SCREWS (2) | 9 | CLICKER (2 PIECE) |
| 2 | DRAG KNOB CAP | 10 | DRAG DISK |
| 3 | DRAG NUT | 11 | THRUST WASHER |
| 4 | BELLEVILLE SPRING WASHERS | 12 | SPINDLE ASSEMBLY |
| 5 | DETENT PLUNGER ASSEMBLY | 13 | SPOOL FLANGE |
| 6 | SPINDLE NUT | 14 | SPOOL FLANGE SCREWS |
| 7 | DRAG KNOB | 15 | ONE-WAY PLUNGERS (2) |
| 8 | FRAME | 16 | SPOOL FACE ASSEMBLY |