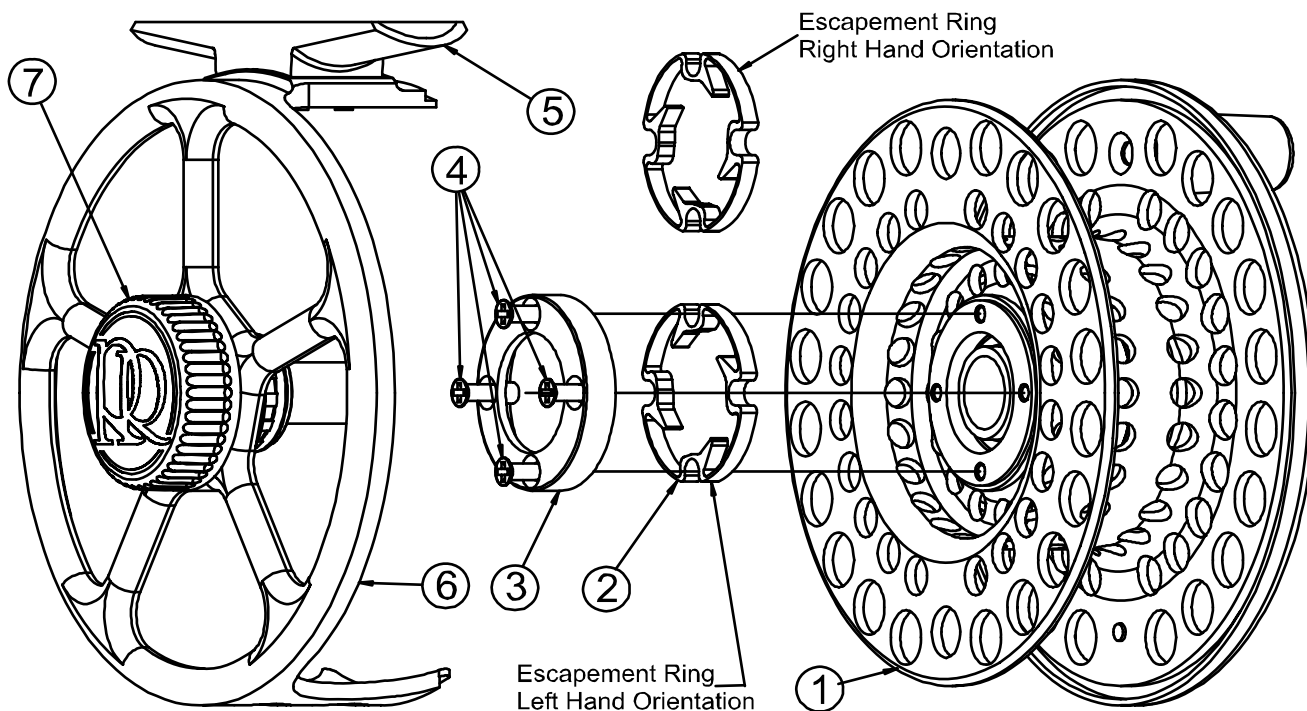


Changing the Direction of the Retrieve on a Evolution Reel

CHANGING THE DIRECTION OF RETRIEVE

1. Remove the Spool (1) from the Frame (6).
2. Using a #1 Phillips screwdriver, remove the four Escapement Assembly Screws (4) on the inner flange of the Spool (1).
3. Remove the Escapement Cover (3).
4. Remove the Escapement Ring (2), turn it over, and replace it on the Spool (1). Align the Escapement Ring (2) screw holes with the Spool (1) screw holes. For left hand retrieve, the escapement pawls should point counterclockwise. For right hand retrieve, the escapement pawls should point clockwise (see diagram below).
5. Replace the Escapement Cover (3), aligning the Escapement Cover (3) screw holes with the Escapement Ring (2) screw holes.
6. Reinsert and tighten the Escapement Assembly Screws (4) and replace the Spool (1) on the Frame (6).

NOTE: When changing the direction of the retrieve, the direction in which the backing and line are wound onto the Spool (1) must be reversed. When viewing the outer face of the Spool (1), the backing and line should be wound on in a clockwise direction for left hand retrieve and in a counterclockwise direction for right hand retrieve.



1. SPOOL ASSEMBLY	5. FOOT
2. ESCAPEMENT RING	6. FRAME ASSEMBLY
3. ESCAPEMENT COVER	7. DRAG KNOB ASSEMBLY (FACTORY SEALED)
4. ESCAPEMENT ASSEMBLY SCREWS	