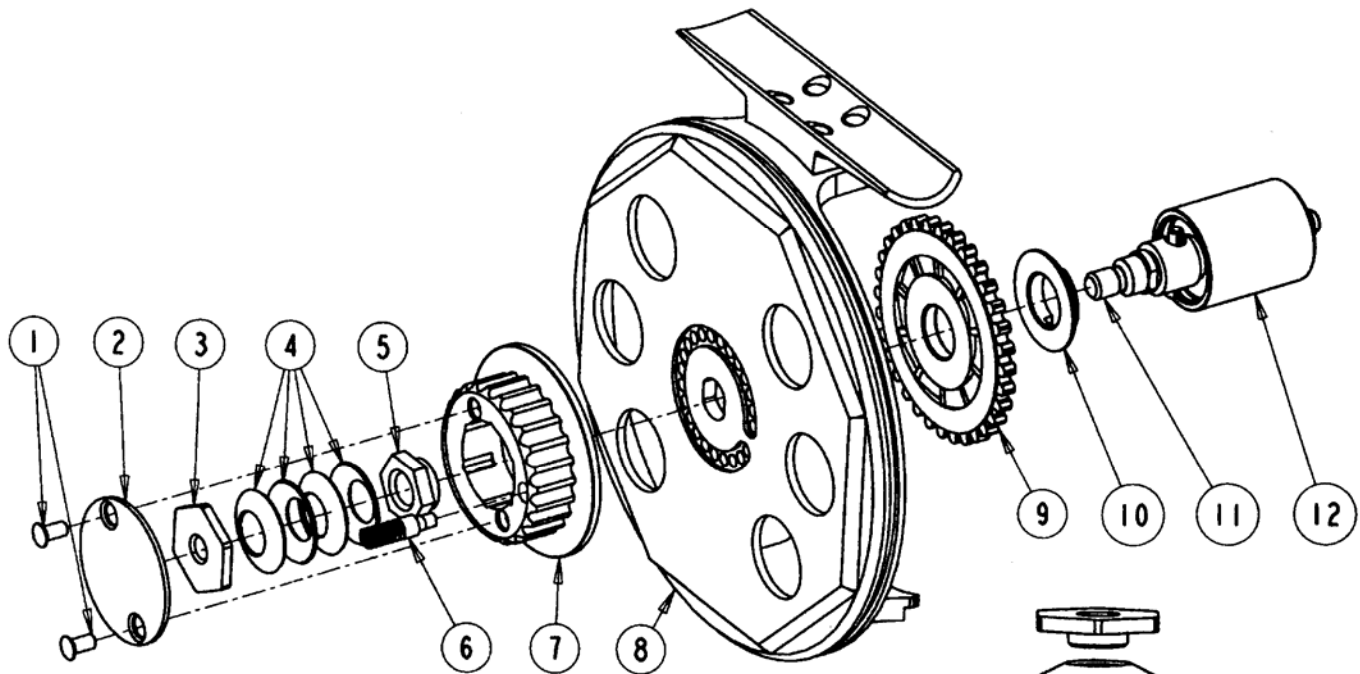


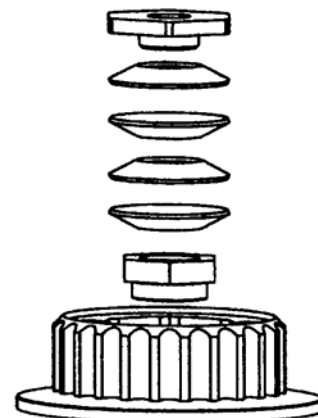
Changing the Direction of the Retrieve on a Pre-1998 Cimarron, Gunnison, and Saltwater Reel

CHANGING THE DIRECTION OF THE RETRIEVE

1. Remove the Spool.
2. Before proceeding, mark with a felt tip pen the top of the Drag Disk (9) facing the spool.
3. Remove the Drag Knob Cap Screws (1) from the top of the Drag Knob (7). Remove the Drag Knob Cap (2).
4. Remove the Detent Plunger Assembly (6) from Drag Knob (7).
5. Turn the Drag Knob (7) counterclockwise until the Drag Nut (3) is free. Remove the Drag Nut (3) and Belleville Spring Washers (4) from Drag Knob (7).
6. Using a 3/8" nut driver or socket wrench (Xcelite or Crescent Drivers will work), remove the Spindle Nut (5) from Drag Knob (7).
7. Pull the Bearing Assembly (12), or for Cimarron's, the Spindle Assembly, loose from the frame leaving the Drag Disk (9) and the Thrust Washer (10) on the Bearing Assembly (12). If you are converting a Cimarron Reel with a spiral clicker, the clicker must be turned over at this time. The clicker can be carefully pried from the frame with a knife blade.



1	DRAG KNOB CAP SCREWS
2	DRAG KNOB CAP
3	DRAG NUT
4	BELLEVILLE SPRING WASHERS
5	SPINDLE NUT
6	DETENT PLUNGER ASSEMBLY
7	DRAG KNOB
8	FRAME ASSEMBLY
9	DRAG DISK
10	THRUST WASHER
11	DRAG ACTUATOR SCREW
12	BEARING ASSEMBLY



**BELLEVILLE
SPRING WASHER
ORIENTATION**

8. Turn over the Drag Disk (9) facing the marked side up (towards the frame).
9. Reassemble in the reverse order of the steps listed above.

PROPER DRAG DISK ORIENTATION

Left hand retrieve is achieved by having the side of the drag disk with the ramps going from a high point to a low point in a clockwise direction visible, facing out from the frame when the drag disk is installed in the reel. Right hand retrieve is achieved by having the side of the drag disk with the ramps going from a low point to a high point in a clockwise direction visible, facing out from the frame when the drag disk is installed in the reel.