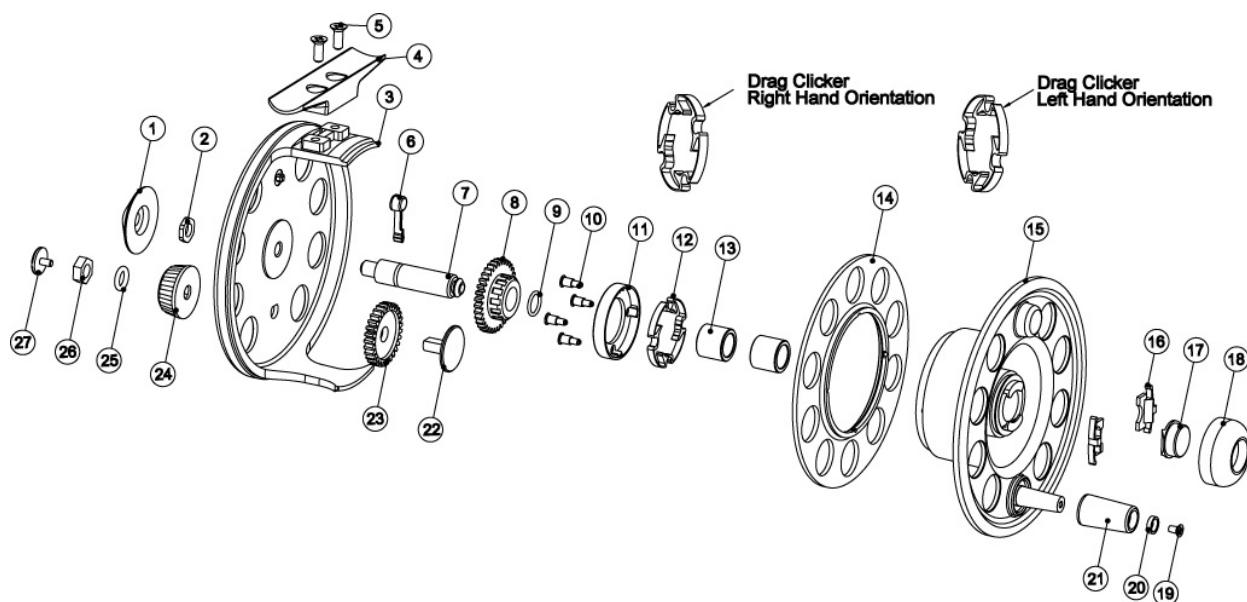


Cleaning Care for Your Flystart Reel (2007 Model)

CLEANING INSTRUCTIONS FOR YOUR FLYSTART REEL (2007)

The Flystart series is fully coated, making it ideal for use in most fishing conditions.

When cleaning the reel, the drag should be fully disengaged – Drag Knob (24) rotated counterclockwise until the stopping position is reached. Use fresh water to flush debris from the drag system. For better cleaning results, separate the spool from the frame, soak in warm fresh water and then rinse in fresh running water. Complete dry the spool and the frame and then re-lubricate the Spindle (7) with petroleum grease before storing the reel.



1	SPINDLE COVER	15	SPOOL
2	SPINDLE NUT	16	SPOOL RELEASE SLIDE
3	BODY	17	SPOOL RELEASE BUTTON
4	FOOT	18	SPOOL CAP
5	FOOT SCREWS	19	HANDLE RETAINING SCREW
6	CLICKER	20	RETAINER
7	SPINDLE	21	HANDLE
8	DRIVE GEAR	22	DRAG SPINDLE
9	O-RING	23	DRAG GEAR
10	ESCAPEMENT COVER SCREWS	24	DRAG KNOB
11	ESCAPEMENT COVER	25	O-RING
12	ESCAPEMENT	26	DRAG NUT
13	SPOOL BEARING	27	DRAG KNOB SCREW
14	SPOOL REAR		