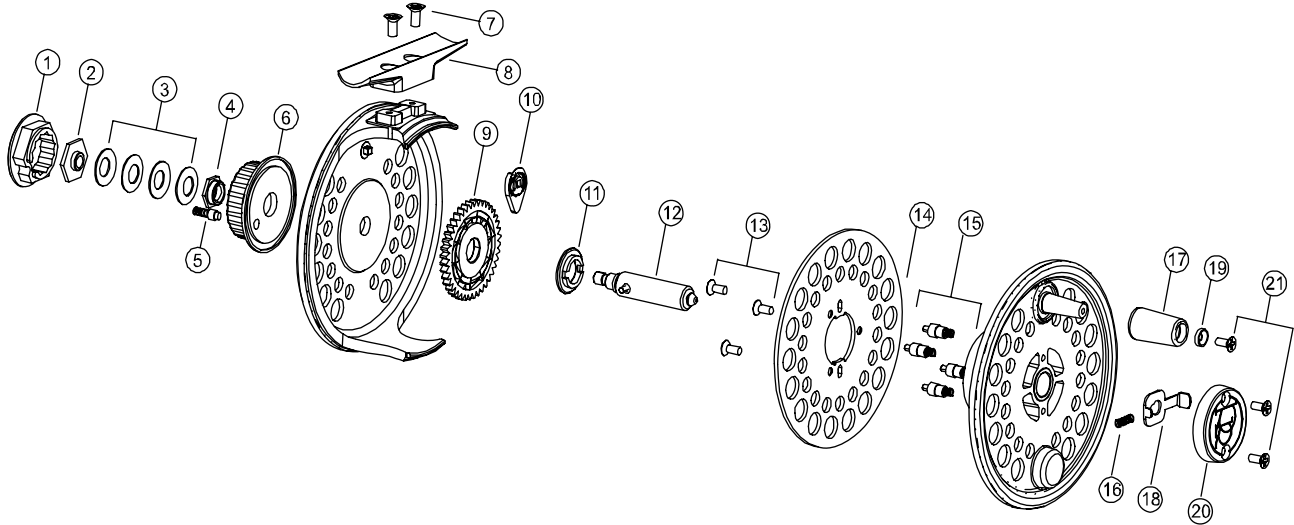


Cleaning Care for Your Flywater Reel (2004 - 2006 Model)

CLEANING INSTRUCTIONS FOR YOUR FLYWATER REEL (2004 - 2006)

The Flywater series is fully coated, making it ideal for use in most fishing conditions.

When cleaning the reel, the drag should be fully disengaged – Drag Knob (6) rotated counterclockwise until the stopping position is reached. Use fresh water to flush debris from the drag system. For better cleaning results, separate the spool from the frame, soak in warm fresh water and then rinse in fresh running water. Complete dry the spool and the frame before storing the reel.



| | | | |
|----|--------------------------|----|------------------------------|
| 1 | DRAG KNOB COVER | 12 | SPINDLE ASSEMBLY |
| 2 | DRAG NUT | 13 | FLANGE SCREWS |
| 3 | DISC SPRING (BELLEVILLE) | 14 | SPOOL FLANGE |
| 4 | SPINDLE NUT | 15 | ONE-WAY PLUNGER |
| 5 | DETENT PLUNGER ASSEMBLY | 16 | SPOOL RELEASE SPRING |
| 6 | DRAG KNOB | 17 | HANDLE |
| 7 | FOOT SCREWS | 18 | SPOOL RELEASE |
| 8 | FOOT | 19 | HANDLE RETAINER |
| 9 | DRAG DISC | 20 | SPOOL CAP |
| 10 | CLICKER (TWO PIECE) | 21 | HANDLE & CAP RETAINER SCREWS |
| 11 | THRUST WASHER | | |