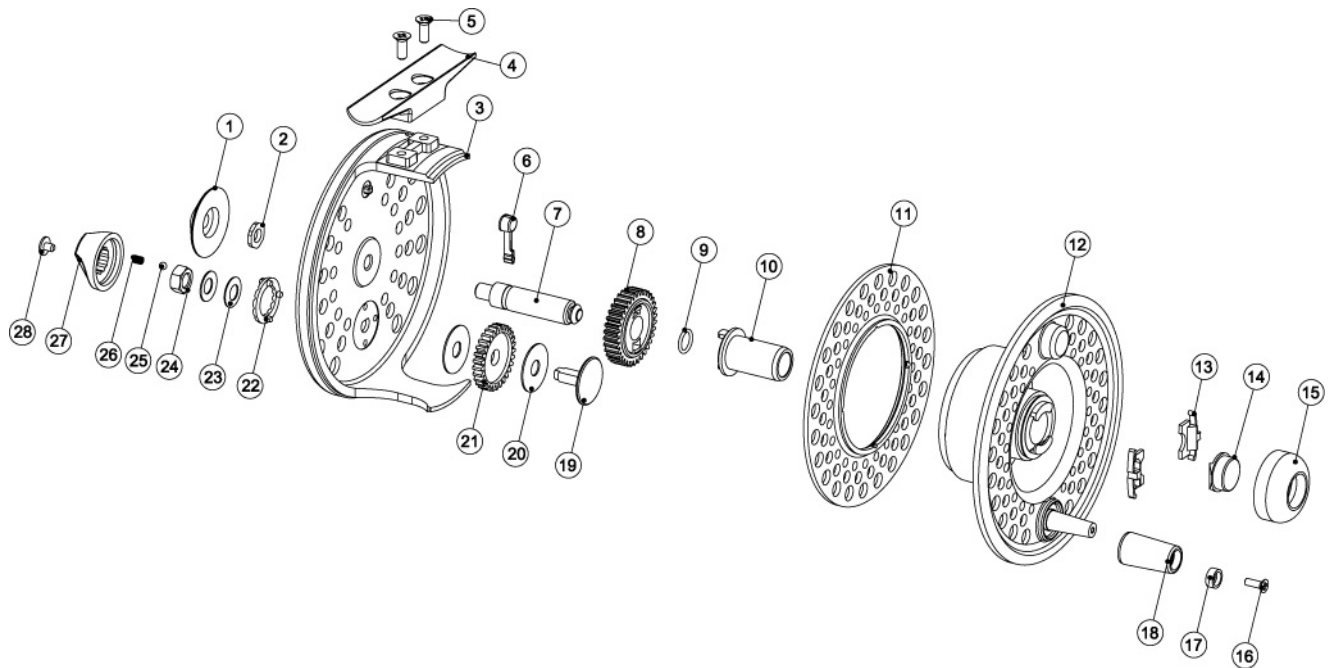


Cleaning Care for Your Flycast Reel (2007 Model)

CLEANING INSTRUCTIONS FOR YOUR FLYCAST REEL (2007)

The Flycast series is fully coated, making it ideal for use in most fishing conditions.

When cleaning the reel, the drag should be fully disengaged – Drag Knob (27) rotated counterclockwise until the stopping position is reached. Use fresh water to flush debris from the drag system. For better cleaning results, separate the spool from the frame, soak in warm fresh water and then rinse in fresh running water. Complete dry the spool and the frame and then re-lubricate the Spindle (7) with petroleum grease before storing the reel.



1	SPINDLE COVER	15	SPOOL CAP
2	SPINDLE NUT	16	HANDLE RETAINING SCREW
3	BODY	17	RETAINER
4	FOOT	18	HANDLE
5	FOOT SCREWS	19	DRAG SPINDLE
6	CLICKER	20	DRAG WASHER
7	SPINDLE	21	DRAG GEAR
8	DRIVE GEAR ASSEMBLY	22	DRAG CLICK PLATE
9	O-RING	23	DISC SPRING
10	SPOOL BEARING	24	DRAG NUT
11	SPOOL REAR	25	DRAG CLICK BALL
12	SPOOL	26	CLICK SPRING
13	SPOOL RELEASE SLIDE	27	DRAG KNOB
14	SPOOL RELEASE BUTTON	28	DRAG KNOB SCREW