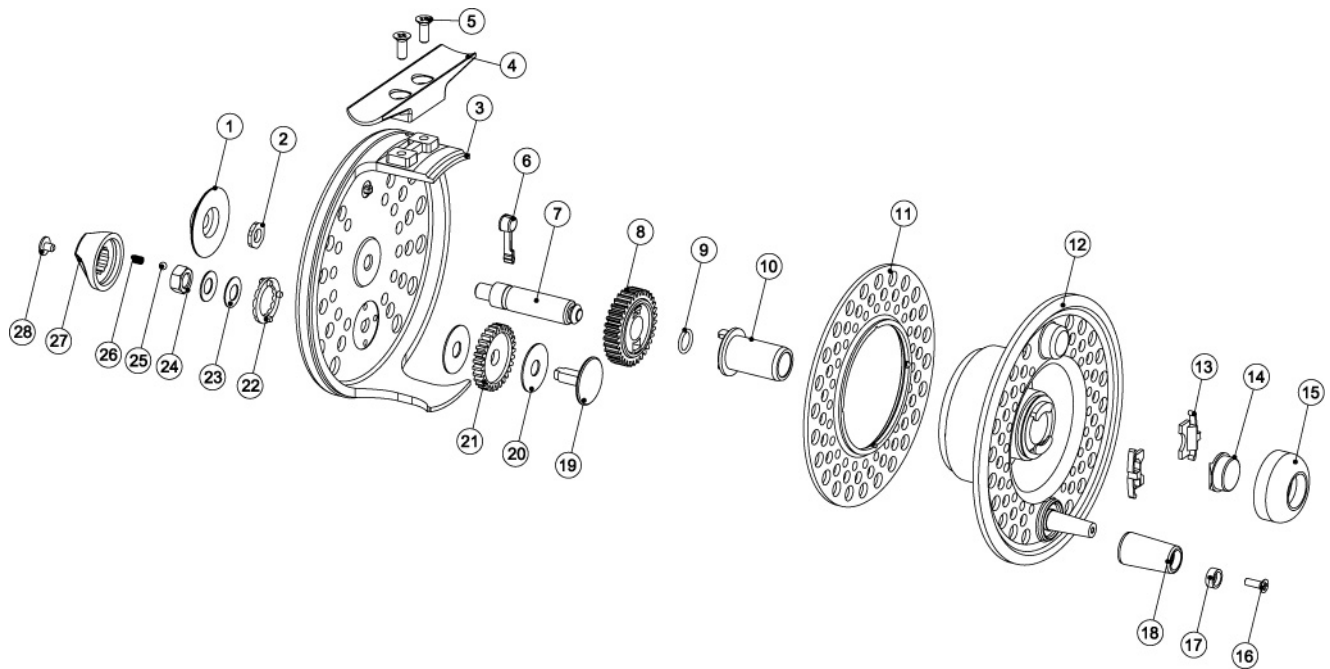


Adjusting the Drag Range on a Flycast Reel (2007 Model)

DRAG RANGE ADJUSTMENT PROCEDURE

Although the factory drag range is appropriate for most fishing situations, by following the instructions below, adjustments to the drag range can be made. A slotted screwdriver is needed to accomplish this adjustment.

1. Turn the Drag Knob (27) fully counterclockwise. Remove the Drag Knob Screw (28) and remove the Drag Knob (27). Care must be taken to not lose the Click Spring (26) and the Drag Click Ball (25) when removing the Drag Knob (27).
2. To increase the high-end drag turn the Drag Nut (24) clockwise one-quarter turn and replace the Drag Knob (27).
3. To decrease the low-end drag turn the Drag Nut (24) counterclockwise one-quarter turn and replace the Drag Knob (27).



1	SPINDLE COVER	15	SPOOL CAP
2	SPINDLE NUT	16	HANDLE RETAINING SCREW
3	BODY	17	RETAINER
4	FOOT	18	HANDLE
5	FOOT SCREWS	19	DRAG SPINDLE
6	CLICKER	20	DRAG WASHER
7	SPINDLE	21	DRAG GEAR
8	DRIVE GEAR ASSEMBLY	22	DRAG CLICK PLATE
9	O-RING	23	DISC SPRING
10	SPOOL BEARING	24	DRAG NUT
11	SPOOL REAR	25	DRAG CLICK BALL
12	SPOOL	26	CLICK SPRING
13	SPOOL RELEASE SLIDE	27	DRAG KNOB
14	SPOOL RELEASE BUTTON	28	DRAG KNOB SCREW