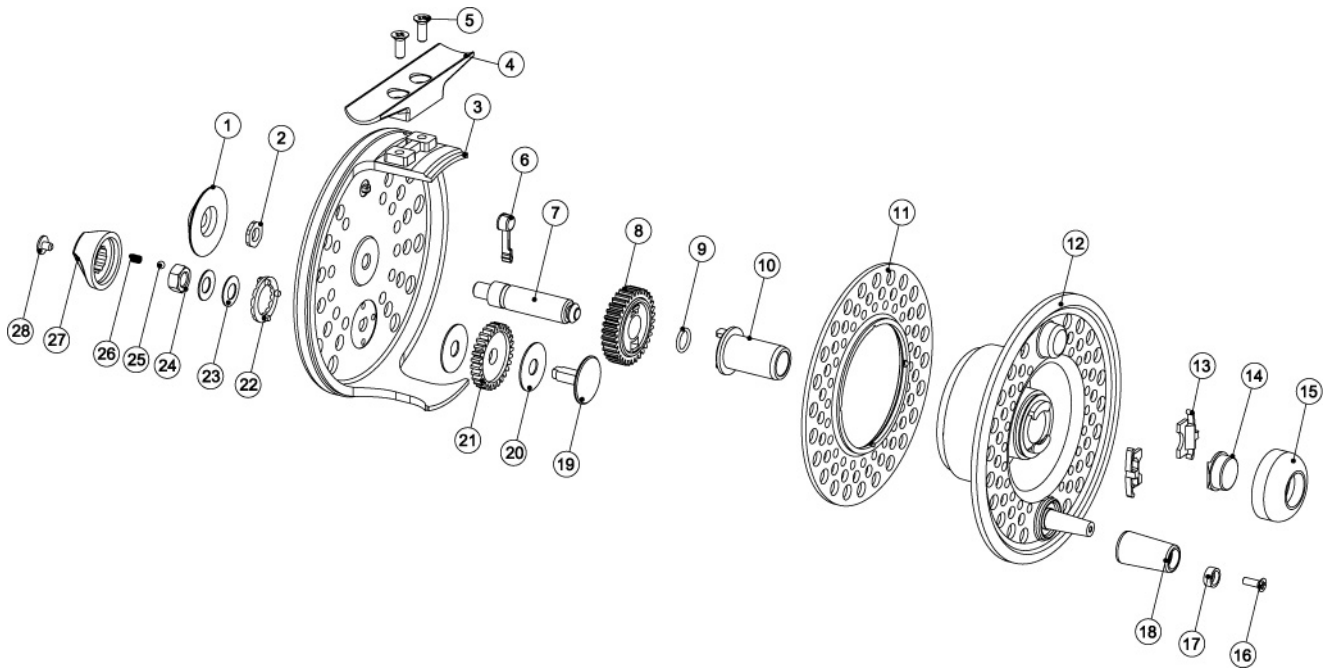


# Changing the Direction of the Retrieve on a Flycast Reel (2007 Model)

## CHANGING THE DIRECTION OF RETRIEVE

1. The retrieve direction may be changed by the removal of the Drive Gear (8) from the Spindle (7) and flipping the Drive Gear (8) over and then replacing it back onto the Spindle (7).

**NOTE:** When changing the direction of the retrieve; the direction in which the backing and line are wound onto the spool must be reversed. When viewing the outer face of the spool, backing and line should be wound on in a clockwise direction for left hand retrieve and in a counterclockwise direction for right hand retrieve.



1	SPINDLE COVER	15	SPOOL CAP
2	SPINDLE NUT	16	HANDLE RETAINING SCREW
3	BODY	17	RETAINER
4	FOOT	18	HANDLE
5	FOOT SCREWS	19	DRAG SPINDLE
6	CLICKER	20	DRAG WASHER
7	SPINDLE	21	DRAG GEAR
8	DRIVE GEAR ASSEMBLY	22	DRAG CLICK PLATE
9	O-RING	23	DISC SPRING
10	SPOOL BEARING	24	DRAG NUT
11	SPOOL REAR	25	DRAG CLICK BALL
12	SPOOL	26	CLICK SPRING
13	SPOOL RELEASE SLIDE	27	DRAG KNOB
14	SPOOL RELEASE BUTTON	28	DRAG KNOB SCREW