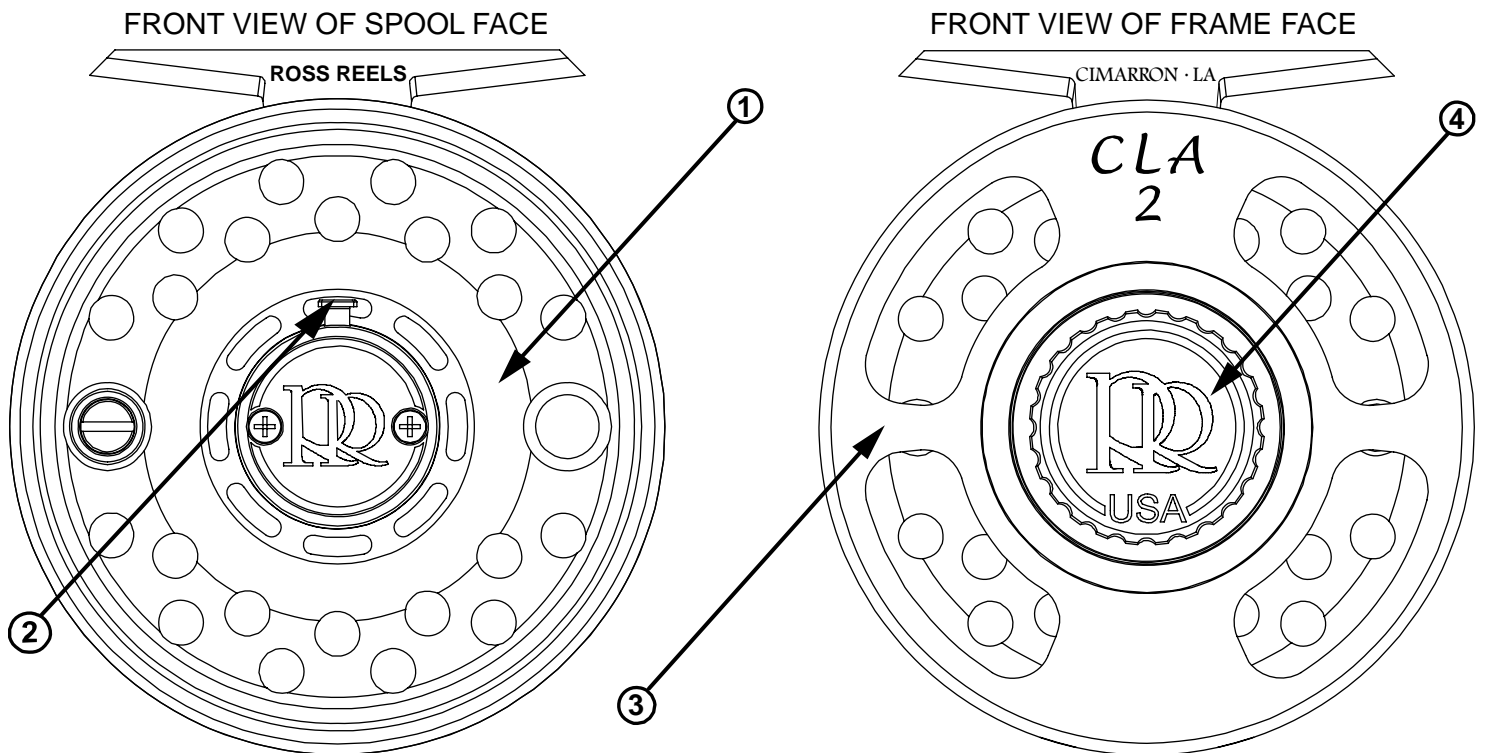


Changing the Direction of the Retrieve on a CLA Reel

CHANGING THE DIRECTION OF THE RETRIEVE

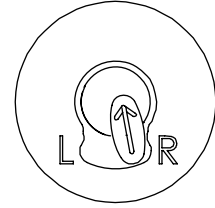
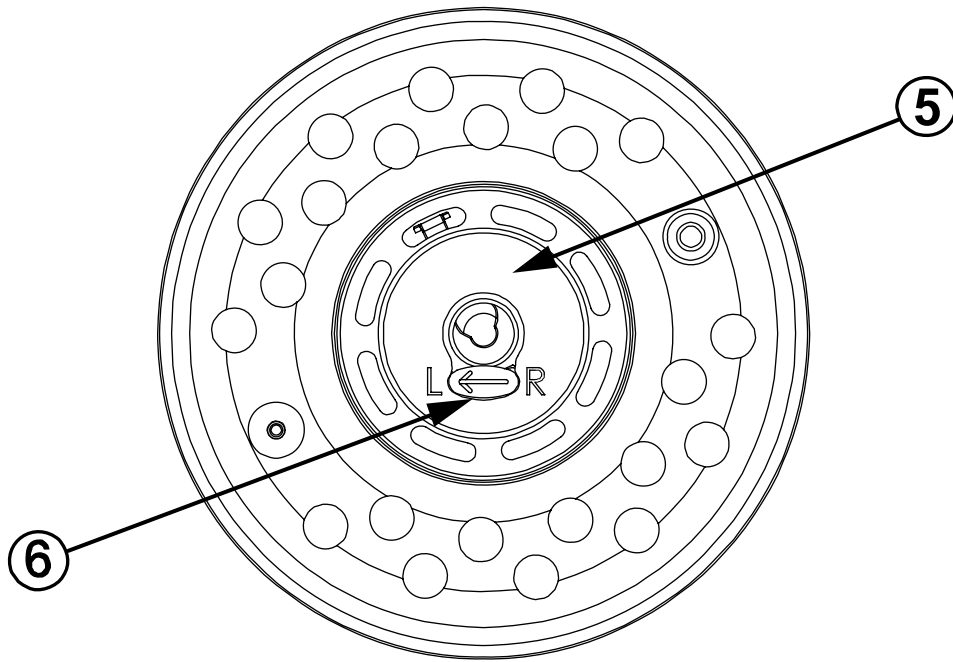
1. Remove the Spool (1) from the Frame (3) by pressing the Spool Release Lever (2).
2. Use your thumb nail or a small slotted screw driver to open the Retrieve Direction Switch (6) to a 90 degree position.
3. To change the retrieve from left hand to right hand, rotate the Escapement Cover (5) counterclockwise until it stops against the Retrieve Direction Switch (6). To change the retrieve from right hand to left hand, repeat step #2 and rotate the Escapement Cover (5) in a clockwise direction.
4. To complete the conversion for either direction, close the Retrieve Direction Switch (6) back into the Escapement Cover (5).
5. Replace the Spool (1) on the Frame (3).

NOTE: When changing the direction of the retrieve, the direction in which the backing and line are wound onto the spool must be reversed. When viewing the outer face of the spool, the backing and line should be wound on in a clockwise direction for left hand retrieve and in a counterclockwise direction for right hand retrieve.



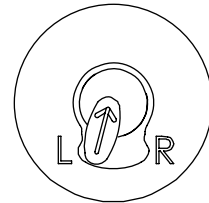
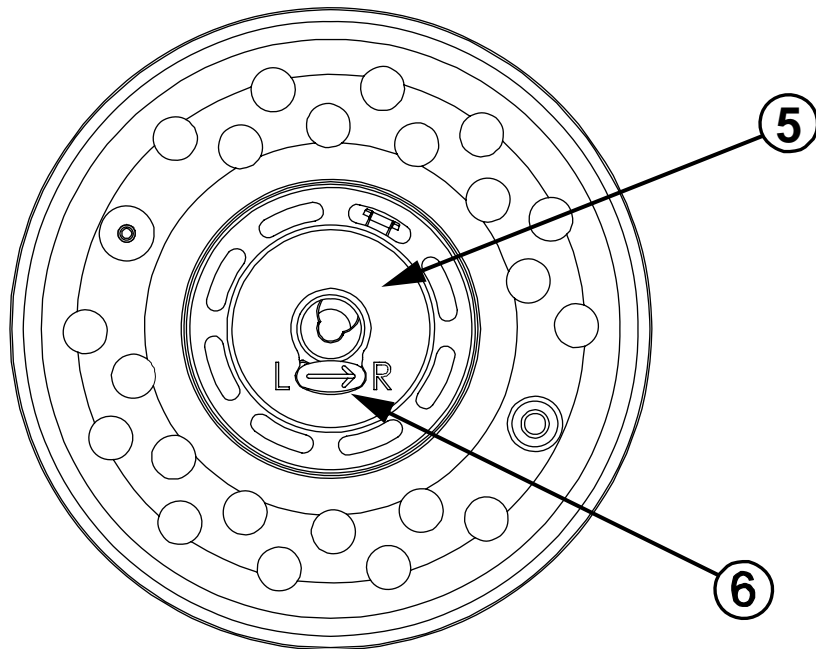
1. SPOOL	4. DRAG KNOB
2. SPOOL RELEASE LEVER	5. ESCAPEMENT COVER
3. FRAME	6. SELECTOR SWITCH

SPOOL REAR LEFT HAND SETTING



SELECTOR SWITCH
IN OPEN POSITION

SPOOL REAR RIGHT HAND SETTING



SELECTOR SWITCH
IN OPEN POSITION