



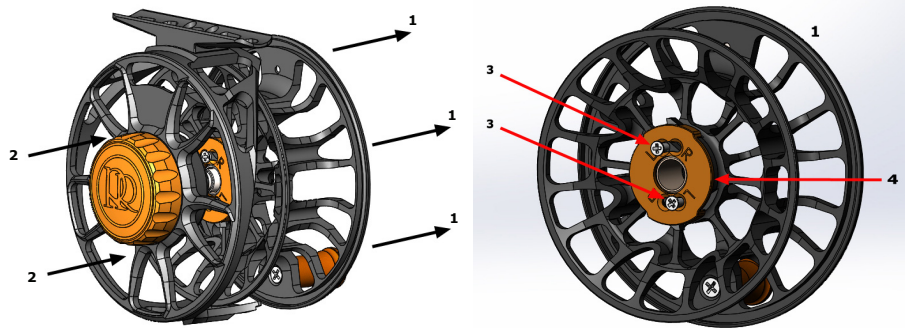
ANIMAS™ PRODUCT CARE



CHANGING THE DIRECTION OF RETRIEVE

1. Remove the Spool (1) from the Frame (2) by pushing the Spool (1) out from the back of the Frame (2).
2. Using a #0 Phillips screwdriver, PARTIALLY LOOSEN the two Escapement Screws (3) on the inside of the Spool (1). Do not fully remove the screws.
3. Rotate the Escapement Cover (4) so that the screws are in the holes next to the letter for the desired retrieve direction: L for left, R for right. You will turn the Escapement Ring (4) counter-clockwise for Right Hand Retrieve (R), and clockwise for Left Hand Retrieve (L)
4. Re-tighten the Escapement Screws (3).
5. Replace the Spool (1) on the Frame (2) until an audible click is heard

NOTE - When changing the direction of the retrieve, the direction in which the backing and line are wound onto the Spool (1) must be reversed. When viewing the outer face of the Spool (1), the backing and line should be wound on in a counterclockwise direction for left hand retrieve and in a clockwise direction for right hand retrieve.



SPECIFICATIONS

All capacity numbers are in yards. Line capacities are based on floating fly lines and 20# backing. All numbers are conservative. Capacities will vary according to specific length and diameters of alternative line manufacturers' products. Capacities will be reduced by approximately 20% if using #30 backing instead of #20 backing.

SIZE	4 5	5 6	7 8
WIDTH	0.98"	1.02"	1.02"
DIAMETER	3.25"	3.50"	3.88"
WEIGHT	4.1 oz.	4.43 oz.	4.74 oz.
LINE WEIGHT	4-5wt.	5-6wt.	7-8wt.
CAPACITY	WF4 + 70 WF5 + 50	WF5 + 100 WF6 + 75	WF7 + 180 WF8 + 160

CLEANING

The Animas series of reels are fully anodized, making them ideal for use in both freshwater and saltwater. We recommend that you clean your reel after each use, especially after exposure to a salt or alkali environment. When cleaning the reel, the drag must be fully disengaged with the drag knob rotated counterclockwise until the stopping position is reached. Use fresh water (distilled water is preferred) to flush salt and debris from the reel. For better cleaning results, separate the Spool (1) from the Frame (2), soak both in warm fresh water and then rinse in fresh running water. Let the Spool (1) and the Frame (6) completely dry by placing the drag knob up and spool face up before storing.

NO LUBRICATION IS NECESSARY

REMINDER!!! Do not lubricate this reel. Lubricants will degrade the drag system's performance or make it inoperable. This reel uses a permanently self-lubricating bearing surface and therefore does not need additional lubrication.