



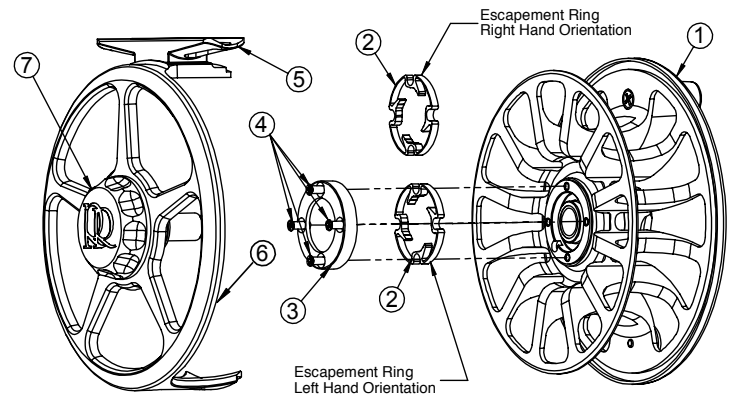
EVOLUTION LT™ PRODUCT CARE



CHANGING THE DIRECTION OF RETRIEVE

1. Remove the Spool (1) from the Frame (6).
2. Using a #1 Phillips screwdriver, remove the four Escapement Screws (4) on the inner flange of the Spool (1).
3. Remove the Escapement Cover (3).
4. Remove the Escapement Ring (2), turn it over, and replace it on the Spool (1). Align the Escapement Ring (2) screw holes with the Spool (1) screw holes. For left hand retrieve, the escapement pawls should point counterclockwise. For right hand retrieve, the escapement pawls should point clockwise (see diagram on back of page).
5. Reinsert and tighten the Escapement Screws, making sure screw heads are flush with the cover. Replace the Spool (1) on the Frame (6).
6. Reinsert and tighten the Escapement Screws (4) and replace the Spool (1) on the Frame (6).

NOTE - When changing the direction of the retrieve, the direction in which the backing and line are wound onto the Spool (1) must be reversed. When viewing the outer face of the Spool (1), the backing and line should be wound on in a counterclockwise direction for left hand retrieve and in a clockwise direction for right hand retrieve.



SPECIFICATIONS

All capacity numbers are in yards. Line capacities are based on floating fly lines and 20# backing. All numbers are conservative. Capacities will vary according to specific length and diameters of alternative line manufacturers' products. Capacities will be reduced by approximately 20% if using #30 backing instead of #20 backing.

SIZE	#0	#1	#1.5	#2	#3	#4
WIDTH	.85"	.90"	.90"	.95"	1.00"	1.00"
DIAMETER	2.75"	3.00"	3.125"	3.25"	3.50"	3.75"
WEIGHT	3.8oz	3.9oz	4.1oz	4.2oz	4.5oz	4.8oz
LINE WEIGHT	1-2wt.	2-3wt.	3-4wt.	4-5wt.	5-7wt.	7-9wt.
CAPACITY	WF2+35	WF3+50	WF4+65	WF5+75	WF6+100	WF8+150

CLEANING

The Evolution LT series is fully anodized, making it ideal for use in both freshwater and saltwater. We recommend that you clean your reel after each use, especially after exposure to a salt or alkali environment.

When cleaning the reel, the drag must be fully disengaged - Drag Knob (7) rotated counterclockwise until the stopping position is reached. Use fresh water to flush salt and debris from the drag system. The escapement can also be removed from the Spool (1) for more thorough cleaning. For better cleaning results, separate the Spool (1) from the Frame (6), soak both in warm fresh water and then rinse in fresh running water. Let the Spool (1) and the Frame (6) completely dry before storing.

NO LUBRICATION IS NECESSARY

REMINDER!!! Do not lubricate this reel. Lubricants will degrade the drag system's performance or make it inoperable. This reel uses a permanently lubricated bearing surface and therefore does not need additional lubrication.