



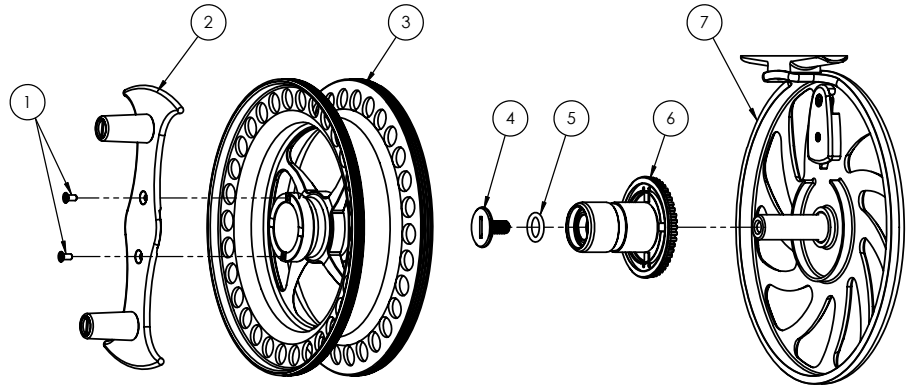
# FLOW™ PRODUCT CARE



## CHANGING THE DIRECTION OF RETRIEVE

1. Remove the Spool (3) from the Frame (7).
2. Use a #1 Phillips screwdriver to remove the two Handle Plate Screws (1).
3. To change the direction of the retrieve from left hand to right hand, re-attach the Handle Plate (2) using the two Handle Plate Screws (1) on the opposite side of the spool.
4. To complete the conversion, reinstall the Spool (3) onto the Frame (7).

NOTE - The unique symmetrical spool design eliminates the need for re-spooling line when converting the reel from left-hand to right-hand retrieve. When viewing the outer face of the Spool (3), the backing and line should be wound on in a counterclockwise direction for left hand retrieve and in a clockwise direction for right hand retrieve.



## CLEANING

The FLOW reel is fully anodized, making it ideal for use in both freshwater and saltwater. We recommend that you clean your reel after each use, especially after exposure to a salt or alkali environment.

When cleaning the reel, use fresh water to flush salt and debris from the reel. For better cleaning results, separate the Spool (3) from the Frame (7), soak in warm fresh water and then rinse in fresh running water. Let the Spool (1) and the Frame (6) completely dry before storing.

## SPECIFICATIONS

<b>SIZE</b>	<b>#4.5</b>
<b>WIDTH</b>	.80"
<b>DIAMETER</b>	4.45"
<b>WEIGHT</b>	8.8oz
<b>LINE WEIGHT</b>	1-3wt.
<b>CAPACITY</b>	300 yards of #8 monofilament + 100 yards of #20 backing
	300 yards of #12 monofilament + 50 yards of #20 backing

## LUBRICATION

After soaking and rinsing your reel, the application of a low viscosity oil will enhance the performance of the bearings.

1. Remove the Bearing Housing Retaining Screw (4) by the use of a coin.
2. Remove the Bearing Housing (6) from the Frame (7) and place a tiny drop of oil on the shield of the bearing. Repeat this operation on the opposite end of the bearing housing for the other bearing.
3. Replace the Bearing Housing (6) on the Frame (7) and reattach the Bearing Housing Retaining Screw (4).